

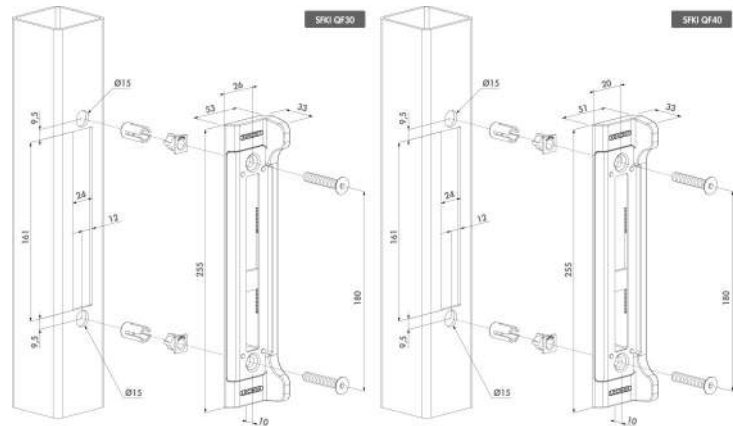
For insert locks

SFKI



<https://www.locinox.com/en-gb/gate-hardware/keeps/for-insert-locks/d00000056>

Insert keep for small gates in metal, aluminium and PVC. The keep can be combined with the Fortylock, Fiftylock and Sixtylock. Fast and easy mounting with Quick-Fix. Hook in combination with the keep provides a secure anchoring of gate and post. Available for square posts of 30 or 40 mm depth.



TECHNICAL SPECIFICATIONS

Left-Right Adjustability	Yes
Installation Method	Hexagon Screws (HEX 5) Quick-Fix
Profile Type	Square
Gate Profile	30 mm; 40 mm
Minimal Distance Gate - Post	13 mm
Materials Main Part(s)	Polyamide Stainless Steel
Hours of Salt Spray Testing	500
Test Frequency	500000
Years of Warranty	3